

КGV..

en Operating instructions
ru Инструкция по эксплуата
uk Інструкція з експлуатац



en Index

Information concerning disposal	4	Freezing and storing frozen food	10
Safety and warning information	4	Fast freeze	10
Getting to know your appliance	6	Freezing food	10
Fascia	6	Defrosting frozen produce	11
Note ambient temperature and ventilation	7	Switching off the appliance	11
Connecting the appliance	7	Defrosting the freezer compartment . . .	12
Switching on the appliance	8	Cleaning the appliance	12
Selecting the temperature	8	Tips for saving energy	13
Storing food	8	Information on operating noises	13
Special features	9	Eliminating minor faults yourself	14
		Customer service	15

ru Содержание

Указания по утилизации	16	Суперзамораживание	25
Указания по безопасности и предупреждения	17	Замораживание продуктов питания	26
Знакомство с холодильником	19	Размораживание замороженных продуктов	27
Панель управления	20	Выключение холодильника	27
Температура окружающей среды и вентиляция	21	Размораживание морозильного отделения	28
Подключение холодильника	22	Чистка холодильника	28
Включение холодильника	23	Как сэкономить электроэнергию	29
Установка температуры	23	Рабочие шумы	29
Размещение продуктов питания	23	Самостоятельное устранение мелких неисправностей	30
Специальное оснащение	24	Служба сервиса	32
Замораживание и хранение продуктов	25		

uk Зміст

Рекомендації з утилізації	33	Суперзаморожування	41
Рекомендації з дотримання безпеки та застереження	34	Замороження продуктів	41
Ознайомлення з приладом	36	Розмороження заморожених продуктів	42
Панель керування	37	Прилад виключити	42
Звертайте увагу на температуру в приміщенні та вентиляцію	37	Розморожування морозильної камери	43
Підключення приладу	38	Чистка приладу	43
Включення приладу	38	Заощадження енергії	44
Установка температури	38	Шуми при експлуатації	44
Розміщення продуктів харчування	39	Як усунути незначні неполадки самому	45
Спеціальне оснащення	40	Служба сервісу	47
Заморожування та зберігання продуктів	40		

Information concerning disposal

Disposal of packaging

The packaging protects your appliance from damage during transit. All packaging materials are environmentally friendly and recyclable. Please contribute to a better environment by disposing of packaging materials in an environmentally-friendly manner.

Please ask your dealer or inquire at your local authority about current means of disposal.

Disposal of your old appliance

Old appliances are not worthless rubbish! Valuable raw materials can be reclaimed by recycling old appliances.

Warning

Redundant appliances:

1. Pull out the mains plug.
2. Cut off the power cord and discard with the mains plug.

Refrigerators contain refrigerants and the insulation contains gases. Refrigerant and gases must be disposed of properly. Ensure that tubing of the refrigerant circuit is not damaged prior to proper disposal.

Safety and warning information

Before you switch ON the appliance

Please read the operating and installation instructions carefully.

They contain important information on how to install, use and maintain the appliance.

Keep all documentation for subsequent use or for the next owner.

Technical safety

- This appliance contains a small quantity of environmentally-friendly but flammable R600a refrigerant. Ensure that the tubing of the refrigerant circuit is not damaged during transportation and installation. Leaking refrigerant may cause eye injuries or ignite.

If damage has occurred

- Keep naked flames and/or ignition sources away from the appliance,
- thoroughly ventilate the room for several minutes,
- Pull out the mains plug,
- Notify customer service.

The more refrigerant an appliance contains, the larger the room must be. Leaking refrigerant can form a flammable gas-air mixture in rooms which are too small.

The room must be at least 1 m³ per 8 g of refrigerant. The amount of refrigerant in your appliance is indicated on the rating plate inside the appliance.

- Only customer service may change the power cord and carry out any other repairs. Improper installations and repairs may put the user at considerable risk.

Important information when using the appliance

- Never use electrical appliances inside the appliance (e. g. heaters, electric ice makers, etc.). **Risk of explosion!**
- NEVER use a steam cleaner to defrost or clean the appliance. The steam may penetrate electrical parts and cause a short-circuit.
Risk of electric shock!
- Do not use pointed or sharp-edged implements to remove frost or layers of ice.
You could damage the refrigerant tubing. Leaking refrigerant may ignite or cause eye injuries.
- Do not store products which contain flammable propellants (e. g. spray cans) or explosive substances in the appliance. **Explosion hazard!**
- Do not stand or support yourself on the base, drawers or doors, etc.
- Before defrosting and cleaning the appliance, pull out the mains plug or switch off the fuse.
Do not pull out the mains plug by tugging the cable.
- Bottles which contain a high percentage of alcohol must be sealed and stored in an upright position.
- Keep plastic parts and the door seal free of oil and grease. Otherwise, parts and door seal will become porous.
- Never cover or block the ventilation openings for the appliance.

- Do not store bottled or canned drinks (especially carbonated drinks) in the freezer compartment. Bottles and cans may explode!
- Never put frozen food straight from the freezer compartment into your mouth.
Risk of low-temperature burns!
- Avoid prolonged touching of frozen food, ice or the evaporator pipes, etc.
Risk of low-temperature burns!

Children in the household

- Keep children away from packaging and its parts. Danger of suffocation from folding cartons and plastic film!
- Do not allow children to play with the appliance!
- If the appliance features a lock, keep the key out of the reach of children.

General requirements

The appliance is suitable

- for refrigerating and freezing food,
- for making ice.

The appliance is designed for domestic use.

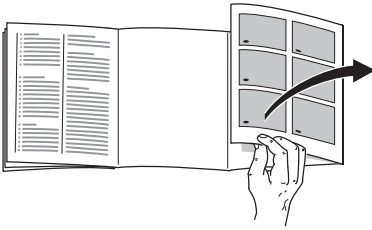
The appliance has been interference-suppressed in compliance with EU Directive

ГОСТ Р 51318.14.1-99,
ГОСТ Р 51318.14.2-99,
ГОСТ Р 51317.3.2-99,
ГОСТ Р 51317.3.3-99.

The refrigerant circuit has been tested for leaks.

This product complies with the relevant safety regulations for electrical appliances
ГОСТ Р МЭК 60335-2-24.

Getting to know your appliance



Please fold out the illustrated last page. These operating instructions refer to several models.

The illustrations may differ.

Fig. 1

1–4 Fascia

- 5 Light switch
- 6 Interior light
- 7 Drawer with egg rack
- 8 Shelf in the refrigerator compartment
- 9 Vegetable container
- 10 Freezer drawers
- 11 Height-adjustable feet
- 12 Butter and cheese compartment
- 13 Egg rack
- 14 Can holder
- 15 Shelf for large bottles

A Refrigerator compartment

B Freezer compartment

Fascia

Fig. 2

1 On/Off button

Switches the whole appliance on and off.

2 Temperature selection button

Press the button until the required temperature lamp illuminates.

3 Temperature display lamp

The figures next to the green lights indicate refrigerator compartment temperatures in “°C”. The lit lamp indicates the selected temperature. The light flashes until the selected temperature is reached.

Note: Lower temperatures which are set in the refrigerator compartment will also cause lower temperatures in the freezer compartment.

4 Fast freezing button

Switches super freezing on and off. When the yellow lamp is lit, this indicates that fast cooling has started.

Fast freezing is used to freeze large quantities of fresh food and, depending on the quantity, must be switched on up to 24 hours before the food is placed in the freezer compartment.

Attention! “Fast freeze” may also slightly increase refrigeration of the refrigerator compartment.

Note ambient temperature and ventilation

The climatic class can be found on the rating plate. It specifies the ambient temperatures at which the appliance may be operated. The rating plate is located at the bottom left-hand side inside the fridge.

Climatic category	Permitted ambient temperature
SN	+10 °C to 32 °C
N	+16 °C to 32 °C
ST	+18 °C to 38 °C
T	+18 °C to 43 °C

The ambient temperature must not, or may only briefly, drop below the minimum ambient temperature. Otherwise, the freezer compartment will become too warm and the frozen food may thaw.

Ventilation

The air at the back of the appliance will heat up. This warm air must be allowed to freely escape, otherwise the refrigerating machine must perform more. This raises electricity consumption. Hence, the air-inlet and outlet apertures should never be covered or blocked off!

Connecting the appliance

After installing the appliance, wait at least ½ hour before switching on the appliance. During transportation the oil in the compressor may have flowed into the refrigeration system.

Before switching on the appliance for the first time, clean the interior (see Cleaning).

The socket should be freely accessible. Connect the appliance to 220–240 V/50 Hz alternating current via a correctly installed earthed socket. The socket must be fused with a 10 to 16 A fuse.

If the appliance is to be operated in a non-European country, check on the rating plate whether the indicated voltage and current type correspond to the values of your mains supply. The rating plate is situated in the bottom left-hand side of the appliance. The mains connection cable may be replaced by an electrician only.

Warning!

Never connect the appliance to electronic energy saver plugs or to power inverters which convert the direct current to 230 V alternating current (e.g. solar equipment, power supplies on ships).

Switching on the appliance

Fig. 2

Press main switch 1. The temperature display light flashes until the required temperature has been reached. Interior light is switched on when the door is open.

The factory has recommended and set the following temperatures:

Refrigerator compartment +4 °C

Perishable food should not be stored warmer than +4 °C.

Selecting the temperature

The set values can be changed; see description of the fascia.

Notes:

Fig. 3

It is quite normal for condensation or hoarfrost to form on the inside of the rear panel. The hoarfrost thaws automatically and runs into the evaporation pan via the condensation channel.

Keep the condensation channel and outlet clean, as the condensation must be able to drain away.

Storing food

Note the refrigeration zones in the refrigerator compartment!

The air circulation in the refrigerator compartment produce different refrigerant zones:

- **Coldest zones**
are on the rear panel inside the compartment and on the lowest shelves. **Fig. 4**

Note: Store perishable food (e.g. fish, sausage, meat) in the coldest zones.

- **Warmest zone**
is at the very top of the door.

Note: Store e.g. cheese and butter in the warmest zone. When served, the cheese will not have lost its flavour and the butter will be easy to spread.

Please note

Wrap or cover food before placing in the appliance. This will retain the aroma, colour and freshness of the food. Transfer of flavour and discoloration of the plastic parts will also be prevented.

Note:

If required, you can vary the shelves inside the appliance: pull the shelf forwards, lower and swivel out to the side. **Fig. 5**

We recommend that you arrange the food inside the refrigerator as follows:

- **in the freezer compartment:**
deep-frozen goods, ice-cubes, ice-cream
- **on the shelves in the main refrigerator section** (from the top down): bakery products, ready-to-eat items, dairy products, meat and salami
- **in the vegetable containers:**
vegetables, lettuce, fruit
- **in the door racks** (from the top down):
butter, cheese, eggs, tubes, small bottles, large bottles, milk and fruit-juice cartons.

Usable capacity

Information on the usable capacity can be found inside your appliance on the rating plate.

Special features

(not all models)

Pull-out drawer

Fig. 6

The drawer can be removed for adding and removing food. Lift the drawer and pull out. The drawer holder can be adjusted.

Bottle shelf

Fig. 7

Bottles can be stored securely on the bottle shelf. The holder can be adjusted.

Bottle holder

Fig. 8

The bottle holder prevents bottles from falling over when the door is opened and closed.

Freezing and storing frozen food

Purchasing deep-frozen food

Packaging must not be damaged.

Use by the “best-before” date.

Temperature in the supermarket freezer –18 °C or lower.

If possible, transport deep-frozen food in an insulated bag and place quickly in the freezer compartment.

Storing frozen food

- To ensure good air circulation in the appliance, insert the freezer drawers all the way.
- If you have to store lots of food, it is possible to transfer the food to the carrying trays and stack it on the base of the freezer base. To do this, remove all the freezer drawers. Pull out the freezer drawers all the way, lift at the front and remove. **Fig. 9**

Making ice cubes

Fig. 10

Fill the ice-cube tray $\frac{3}{4}$ full of water and place in the bottom of the freezer compartment. If the ice-cube tray is stuck to the freezer compartment, dislodge with a blunt implement only (spoon handle).

To loosen the ice cubes, hold the tray briefly under running water or twist the tray slightly.

Fast freeze

Several hours before placing fresh food in the freezer compartment, switch on “fast freeze”.

4–6 hours is usually adequate. If the max. freezing capacity is used, 24 hours are required. Smaller quantities of food can be frozen without “Fast freeze”. To switch on “Fast freeze”, simply press the “Fast freeze” button **Fig. 2/4**.

“Fast freeze” switches off automatically after 2½ days at the latest.

Freezing food

Food should be frozen solid as quickly as possible. To retain vitamins, nutritional value, appearance and flavour, do not exceed max. freezing capacity. If freezing food in the freezer drawers, the max. freezing capacity is reduced slightly.

Freezing capacity

Information about the max. freezing capacity within 24 hours can be found on the rating plate.

The max. freezing capacity is reached on the upper wire shelf.

Keep food which is to be frozen away from food which is already frozen.

To retain the flavour and prevent the food from drying out, pack airtight.

Warning

Do not use harmful materials to pack food or to seal containers.

Packing materials

Plastic film, polyethylene blown film, aluminium foil and freezer tins.

Sealing materials

Rubber bands, plastic clips, string, cold-resistant adhesive tape.

Storage duration of the frozen food

At medium setting

Fish, sausage, ready meals and cakes and pastries	up to 6 months
Cheese, poultry and meat	up to 8 months
Vegetables and fruit	up to 12 months

Defrosting frozen produce

Depending on the type of food and intended use, frozen produce can be defrosted:

- At room temperature,
- In a refrigerator,
- In an electric oven, with/without fan assisted hot-air,
- In a microwave

Note

Do NOT refreeze food which is beginning to defrost or which has already defrosted. Only food which is subsequently prepared (cooked or fried) may be refrozen.

No longer store the frozen produce for the max. storage period.

Switching off the appliance

Press button **Fig. 2/1**. Temperature display lamp **Fig. 2/3** goes out. The cooling process and the lighting are thereby switched off.

Disconnecting the appliance

If the appliance is not to be used for a prolonged period:

1. Pull out the mains plug
2. Cleaning the appliance
3. Leave the appliance door open.

Defrosting the freezer compartment

Proceed as follows

- Remove the freezer drawers containing the food. Place the ice blocks (if enclosed) on the food. Wrap the frozen food in several sheets of newspaper and store in a cool location.
- Pull out the mains plug or disconnect the fuse.
- Defrost the appliance.
- After defrosting the appliance, wipe up the condensation on the floor of the freezer compartment with a sponge.
- Clean with water and a little washing-up liquid. Clean the door seal with water only and then dry thoroughly.
- Switch on the appliance again.
- Put the frozen food back in the freezer compartment.

Defrosting sprays

Follow the manufacturer's instructions.

Cleaning the appliance

1. Attention: Pull out the mains plug or switch off the fuse!
2. Wipe the door seal with clear water only and then wipe dry thoroughly.
3. Clean the appliance with lukewarm water and a little washing-up liquid. The rinsing water must not drip onto the fascia or light **Fig. 2**.
4. After cleaning; reconnect and switch on the appliance.

Door shelves can be removed for cleaning. **Fig. 11**

Do not use abrasive or acidic cleaning agents and solvents.

Regularly clean the condensation channel and drainage hole, **Fig. 3**, with a cotton bud or similar implement to ensure that the condensation can drain.

The rinsing water must not run through the drain hole into the evaporation pan.

Attention:

Never clean the shelves or containers in the dishwasher. The parts may warp!

Tips for saving energy

- Install the appliance in a cool, well ventilated room, but not in direct sunlight and not near a heat source (radiator, cooker, etc.). Otherwise, use an insulating plate.
- Leave warm food and drinks to cool down first.
- Open the appliance door as briefly as possible.
- Defrost and clean the appliance.
- Occasionally clean the rear of the appliance with a vacuum cleaner or paint brush to prevent an increased power consumption.

Information on operating noises

Normal noises

- A **humming** noise is emitted by the motor (compressor). When the motor switches ON, the noise may briefly increase in volume.
- A **bubbling, gurgling** or **whirring** noise is emitted by the refrigerant as it flows through the tubing.
- A **clicking** noise can be heard when the thermostat switches the motor ON/OFF.

Noises which can be easily rectified

- **Drawers, baskets or shelves are loose or are sticking**
Please check that they are correctly positioned and, if required, reinsert them.
- **Bottles and/or receptacles are touching each other**
Please move bottles and/or receptacles away from each other.

Eliminating minor faults yourself

Before you call customer service:

Please check whether you can eliminate the fault yourself based on the following information.

Customer service will charge you for advice, even if the appliance is still under guarantee!

Fault	Possible cause	Remedial action
Temperature differs greatly from the set value.		<p>In some cases it is adequate to switch off the appliance for 2 minutes.</p> <p>If the temperature still differs try again after an hour.</p> <p>If the temperature is too high wait a few hours and check whether the temperature has approached the set value.</p> <p>If the temperature is too low check the temperature again the next day.</p>
Light does not function.	<p>The bulb is defective.</p> <p>Light switch is sticking. Fig. 11/5</p>	<p>Change the bulb Fig. 12</p> <ol style="list-style-type: none"> 1. Pull out the mains plug or disconnect the fuse. 2. Change the incandescent bulb (replacement bulb max. 15 W, 220–240 V a.c., E14 lampholder). <p>Check whether it can be moved.</p>
Floor of the refrigerator compartment is wet.	The condensation outlet is blocked.	Clean the condensation channel and outlet Fig. 3 , (see Cleaning the appliance).
Displays do not illuminate.	Power failure; the fuse has been switched off; the mains plug has not been inserted properly.	Check whether the power is on, the fuse must be switched on.

Fault	Possible cause	Remedial action
The temperature in the refrigerator compartment is too cold.	Temperature has been set too low.	Increase the temperature.
The interior light glows at a reduced luminosity when the door is almost closed (or light switch depressed).	Ambient temperature is below 20 °C or fast freeze has been switched on. Not a fault!	The interior light goes out again at ambient temperatures above 20 °C or after fast freeze has been switched off.
There is a thick layer of frost in the freezer compartment.		Defrost the freezer compartment (see Defrosting). Always ensure that the freezer compartment door is closed properly.
The temperature in the freezer compartment is too warm.	<ul style="list-style-type: none"> • Freezer compartment door is open. • The ventilation openings have been covered. • Too much food was placed in the freezer compartment at once. 	<p>Close the door.</p> <p>Ensure that there is adequate ventilation.</p> <p>Do not exceed max. freezing capacity.</p>

Customer service

Please check your telephone book or the customer-service list for your nearest customer-service facility. When contacting customer service, please ALWAYS quote the product number (E-number) and production number (FD-number) of your appliance.

These numbers can be found on the rating plate. **Fig. 13**

To prevent unnecessary call-outs, please assist customer service by quoting the product and production numbers. This will save you additional costs.

Указания по утилизации

Утилизация упаковки

Упаковка защищает Ваш бытовой прибор от транспортных повреждений. Все используемые в качестве упаковки материалы не наносят вреда окружающей среде и пригодны для вторичного использования. Внесите, пожалуйста, свой вклад в дело защиты окружающей среды, сдав упаковку на экологичную утилизацию.

Информацию об актуальных методах утилизации Вы можете получить у Вашего торгового агента или в органах коммунального управления по месту Вашего жительства.

Утилизация старого холодильника

Отслужившие свой срок холодильники нельзя рассматривать как ненужный мусор! Благодаря экологичной утилизации из них удастся получить ценное сырье.

Предупреждение

В случае с отслужившими свой срок холодильниками:

1. Извлеките вилку из розетки.
2. Отрежьте сетевой шнур и уберите его подальше вместе с вилкой.

В холодильной установке содержится хладагент, а в изоляции холодильника – газы, утилизация которых должна быть проведена квалифицированно. Трубки контура, по которому циркулировал хладагент, ни в коем случае не должны быть повреждены до начала утилизации.

Указания по безопасности и предупреждения

Перед вводом холодильника в эксплуатацию

Внимательно прочтите инструкцию по монтажу и эксплуатации!

В ней содержится важная информация по установке, использованию и техобслуживанию холодильника.

Сохраните всю документацию для позднейшего использования или на случай передачи ее следующему владельцу холодильника.

Техническая безопасность

- В холодильнике содержится незначительное количество экологически чистого, но воспламеняющегося хладагента R600a. Следите, пожалуйста, за тем, чтобы при транспортировке или монтаже холодильника не были повреждены трубки контура, по которому циркулирует хладагент. Попавшие наружу брызги хладагента могут воспламениться или вызвать воспаление глаз.

При повреждениях

- Не подходите близко к холодильнику с открытым пламенем или какими-либо иными источниками воспламенения,
- хорошо проветрите помещение в течение нескольких минут,
- извлеките вилку из розетки,
- сообщите о повреждениях в сервисную службу.

Чем большее количество хладагента содержится в холодильнике, тем больше должно быть помещение, в котором холодильник установлен. В слишком маленьких помещениях при утечке хладагента может образоваться горючая смесь паров хладагента с воздухом.

На каждые 8 г хладагента должен приходиться как минимум 1 м³ помещения.

Количество хладагента, содержащееся в Вашем холодильнике, приведено в типовой табличке, расположенной внутри холодильника.

- Замена сетевого шнура и прочие ремонтные работы должны выполняться только специалистами сервисной службы. Неквалифицированно выполненные установка и ремонт холодильника могут превратить его в источник серьезной опасности для пользователя.

При использовании

- Никогда не включайте внутри холодильника какие-либо другие электроприборы (напр., нагревательные приборы, электрические мороженицы и пр.).

Взрывоопасность!

- Никогда не проводите размораживание или чистку холодильника с помощью пароочистителя! Пар может попасть на электрические детали и вызвать короткое замыкание.

Опасность поражения электрическим током!

- Иней и лед нельзя удалять с помощью предметов с острым концом или острыми краями. Тем самым Вы можете повредить трубки, по которым циркулирует хладагент. Брызги хладагента могут воспламениться или, попав в глаза, вызвать их воспаление.

- Нельзя хранить в холодильнике аэрозольные баллончики с воспламеняющимися газами-вытеснителями и взрывоопасные вещества.

Взрывоопасность!

- Нельзя вставлять или опираться на цокольную панель, выдвижные боксы, двери холодильника и прочие элементы его конструкции.

- Перед тем как начать размораживание и чистку холодильника, извлеките вилку из розетки или выключите предохранитель. Никогда не тяните за сетевой шнур холодильника, беритесь только за штепсельную вилку!
- Крепкие спиртные напитки можно хранить в холодильнике только в плотно закрытой, установленной вертикально посуде.
- Следите за тем, чтобы на пластмассовые детали холодильника и уплотнитель его двери не попадали жиры или масла. Иначе эти детали и уплотнитель могут стать пористыми.
- Никогда не закрывайте и ничем не загораживайте вентиляционные отверстия электроприбора.
- Никогда не закрывайте и ничем не загораживайте вентиляционные отверстия электроприбора.
- В морозильном отделении нельзя хранить жидкости в бутылках или жестяных банках (особенно газированные напитки). Бутылки и банки могут лопнуть!
- Никогда не берите замороженные продукты из морозильного отделения сразу в рот.

Опасность обморожения!

- Избегайте продолжительного контакта рук с замороженными продуктами, льдом или трубками испарителя и т. д.

Опасность обморожения!

Если дома есть дети

- Упаковку и ее составные части нельзя отдавать детям. Не исключена опасность удушья, которой дети подвергаются, закрывшись в картонной коробке или запутавшись в полиэтиленовой пленке!
- Холодильник – это не игрушка для детей!
- Для холодильника с дверным замком: храните ключ от замка в недоступном для детей месте!

Общие определения

Холодильник предназначен

- для охлаждения и замораживания продуктов питания,
- приготовления пищевого льда.

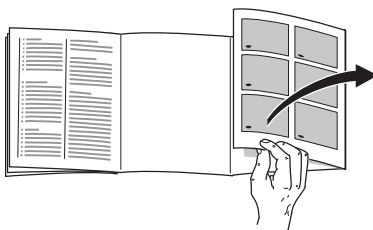
Холодильник предназначен для использования в домашнем хозяйстве.

Согласно требованиям ГОСТ Р 51318.14.1-99, ГОСТ Р 51318.14.2-99, ГОСТ Р 51317.3.2-99, ГОСТ Р 51317.3.3-99 холодильник при работе не создает помех радиоприему.

Контур циркуляции хладагента проверен на герметичность.

Данный холодильник отвечает соответствующим требованиям Предписаний по технике безопасности для электрических приборов ГОСТ Р МЭК 60335-2-24.

Знакомство с холодильником



Откройте, пожалуйста, последние страницы с рисунками. Данная инструкция по эксплуатации действительна для нескольких моделей холодильников.

Поэтому на рисунках возможны некоторые отличия.

Рисунок 1

- 1–4 Панель управления
- 5 Выключатель освещения
- 6 Внутреннее освещение
- 7 Выдвижной бокс со вставкой для яиц
- 8 Полки в холодильном отделении
- 9 Бокс для овощей и фруктов
- 10 Бокс для замороженных продуктов
- 11 Винтовые ножи
- 12 Отделение для масла и сыра
- 13 Полка для яиц
- 14 Подставка для консервных банок
- 15 Полка для больших бутылок

A Холодильное отделение

B Морозильное отделение

Панель управления

Рисунок 2

1 Кнопка включения/выключения

Главный выключатель служит для включения и выключения всего холодильника.

2 Кнопка установки температуры

Нажимайте на кнопку до тех пор, пока не засветится лампочка под необходимым Вам значением температуры.

3 Лампочки индикации температуры

Цифры у зеленых лампочек означают температуру в холодильном отделении в «°C». Светящаяся лампочка показывает установленную температуру. Лампочка мигает до тех пор, пока установленная температура не будет достигнута.

Указание: если для холодильного отделения устанавливается более низкая температура, то в морозильном отделении становится также холоднее.

4 Кнопка суперзамораживания

Эта кнопка служит для включения и выключения функции суперзамораживания. При включении данной функции загорается желтая лампочка.

Данная функция служит для замораживания большого количества свежих продуктов питания и включается, в зависимости от количества продуктов, максимум за 24 часа до их загрузки.

Внимание! Во время суперзамораживания холодильное отделение также может сильнее охлаждаться.

Температура окружающей среды и вентиляция

Климатический класс холодильника указан в его типовой табличке. Он показывает, в каком диапазоне значений температуры окружающей среды можно эксплуатировать холодильник. Типовая табличка находится слева внизу внутри холодильника.

Климатический класс	Допустимая температура окружающей среды
SN	+10 °C до 32 °C
N	+16 °C до 32 °C
ST	+18 °C до 38 °C
T	+18 °C до 43 °C

Температура окружающей среды не должна или может лишь на короткое время опускаться ниже минимально допустимой для нее температуры. Иначе в морозильном отделении станет слишком «тепло», что может привести к подтаиванию замороженных продуктов.

Вентиляция

У задней стенки холодильника воздух нагревается. Нагретый воздух должен иметь возможность беспрепятственно удаляться. Иначе холодильный агрегат будет работать с повышенной мощностью. А это повышает расход электроэнергии.

Поэтому: никогда не закрывайте и ничем не загораживайте вентиляционные отверстия холодильника!

Подключение холодильника

После установки холодильника необходимо подождать минимум полчаса, прежде чем вводить его в эксплуатацию. Во время транспортировки холодильника содержащееся в компрессоре масло могло попасть в систему охлаждения.

Перед вводом холодильника в эксплуатацию в первый раз следует почистить его внутри (смотрите раздел «Чистка»).

Электрическая розетка должна быть легко доступна. Холодильник следует подключать к сети переменного тока с параметрами 220–240 В/50 Гц через установленную согласно предписаниям розетку с защитным контактом. Электрическая розетка должна быть защищена предохранителем, рассчитанным на ток 10–16 А.

В случае с холодильниками, которые будут эксплуатироваться в неевропейских странах, необходимо проследить, чтобы значение напряжения и вид тока, приведенные на типовой табличке, совпадали с параметрами Вашей электросети. Типовая табличка расположена внутри холодильника слева внизу. Замену сетевого шнура должен производить только квалифицированный специалист.

Предупреждение!

Ни в коем случае нельзя подключать холодильник к электронным энергоэкономичным штекерам или инверторам, которые преобразуют постоянный ток в переменный с напряжением 230 В (например, солнечные батареи, судовые электрические установки).

Включение холодильника

Рисунок 2

Нажмите главный выключатель. Лампочка индикации температуры мигает, пока не будет достигнута установленная температура. При открывании двери холодильника загорается внутреннее освещение.

Заводская базовая установка для температуры внутри холодильного отделения +4 °С.

Мы рекомендуем оставить установку, соответствующую +4 °С.

Быстропортящиеся продукты питания не должны храниться при температуре выше +4 °С.

Установка температуры

Установленные значения можно изменить (смотрите описание панели управления).

Рисунок 3

На задней внутренней стенке холодильника осаждаются капли конденсата или иней, что обусловлено особенностями конструкции холодильника. Иней стаивает самостоятельно, и образующаяся вода стекает по специальному желобку в испарительный поддон. Чтобы обеспечить свободный сток талой воды, регулярно чистите сливной желобок и дренажное отверстие.

Размещение продуктов питания

Обратите внимание на различные температурные зоны в холодильном отделении!

Из-за циркуляции воздуха в холодильном отделении возникают различные температурные зоны:

- **Самая холодная зона** находится у задней стенки внутри холодильного отделения и на самых нижних его полках.

Рисунок 4

Рекомендация: в месте наиболее сильного охлаждения следует хранить скоропортящиеся продукты питания (например, рыбу, колбасу, мясо).

- **Самая теплая зона** находится в самом верху у дверцы холодильного отделения.

Рекомендация: в этом месте лучше всего хранить, например, сыр и масло. До подачи на стол сыр сохраняет свой аромат, а масло остается мягким.

На что обратить внимание при размещении продуктов

Продукты питания следует хранить в плотной упаковке или в закрытой посуде. В результате останутся неизменными аромат, цвет и свежесть продуктов. Кроме того, удастся избежать изменения вкуса продуктов в результате их соприкосновения друг с другом, а также изменения цвета пластмассовых деталей холодильника.

Указание:

Полки, расположенные внутри холодильного отделения, можно при необходимости переставлять: потяните полку на себя, опустите и затем извлеките ее сбоку.

Рисунок 5

Мы рекомендуем располагать продукты питания следующим образом:

- **В морозильном отделении:** замороженные продукты, кубики пищевого льда, мороженое.
- **На полках:** в холодильном отделении (сверху вниз): мучные изделия, готовые блюда, молочные продукты, мясо и колбасу.
- **В боксе для овощей:** овощи, листовая салат, фрукты.
- **На дверных полках:** (сверху вниз): масло, сыр, яйца, различные тубики, маленькие бутылочки, большие бутылки, молоко, пакеты с соком.

Полезный объем

Данные, касающиеся полезного объема, Вы сможете найти внутри холодильника в его типовой табличке.

Специальное оснащение

(не во всех моделях)

Выдвижной контейнер

Рисунок 6

Чтобы продукты было удобнее загружать и выгружать, контейнер можно извлечь из холодильника. Для этого его следует приподнять. Держатель контейнера можно передвигать вдоль полки.

Полка для бутылок

Рисунок 7

Эта полка служит для безопасного хранения бутылок. Держатель для бутылок препятствует их опрокидыванию при открывании и закрывании двери холодильника. Держатель полки можно передвигать.

Держатель для бутылок

Рисунок 8

Держатель для бутылок препятствует их опрокидыванию при открывании и закрывании дверцы холодильника.

Замораживание и хранение продуктов

Покупка замороженных продуктов

Упаковка продуктов не должна быть поврежденной.

Срок годности не должен быть превышен.

Температура в морозильнике, в котором хранятся продукты в магазине, должна быть -18°C или ниже.

Замороженные продукты лучше всего транспортировать в сумке из изолирующего материала и дома как можно быстрее положить их в морозильное отделение холодильника.

Хранение замороженных продуктов

- Чтобы обеспечить безупречную циркуляцию воздуха внутри холодильника, задвигайте боксы для замороженных продуктов внутрь до упора.
- Если необходимо загрузить большое количество продуктов питания, то их можно сложить прямо на полки и дно морозильного отделения. Для этого следует извлечь все боксы для замороженных продуктов. Выдвиньте бокс наружу до упора, приподнимите его спереди и затем полностью извлеките из холодильника. **Рисунок 9**

Приготовление кубиков пищевого льда

Рисунок 10

Наполните ванночку для приготовления кубиков льда на $\frac{3}{4}$ водой и поставьте ее на дно морозильного отделения. Если она примерзнет ко дну морозильного отделения, то отделять ее можно только каким-либо тупым предметом (например, ручкой ложки).

Чтобы извлечь кубики льда из ванночки, ее можно немного подержать в проточной воде или слегка изогнуть.

Суперзамораживание

Если в морозильном отделении уже хранятся продукты питания, то за несколько часов до загрузки свежих продуктов следует включить функцию суперзамораживания.

В общем и целом достаточно 4–6 часов. Если будет использоваться макс. допустимая производительность замораживания, то потребуется 24 часа. Небольшие количества продуктов питания можно замораживать без включения функции суперзамораживания.

Для включения функции суперзамораживания просто нажмите на кнопку «super». **Рисунок 2/4**

Функция суперзамораживания выключается автоматически самое позднее через 2,5 дня.

Замораживание продуктов питания

Продукты питания должны как можно скорее промерзнуть до самой середины. Чтобы сохранились витамины, внешний вид и вкус свежих продуктов, не следует превышать максимальную производительность замораживания. При замораживании в боксах максимальная производительность замораживания уменьшается лишь незначительно.

Производительность замораживания

Данные по макс. производительности замораживания в течение 24 часов Вы найдете в типовой табличке.

Макс. производительность замораживания достигается на верхней решетке морозильного отделения.

Следите за тем, чтобы вновь загруженные свежие продукты не соприкасались с уже замороженными продуктами.

Чтобы продукты сохранили свой вкус и не высохли, перед замораживанием их следует герметично упаковать.

Внимание:

Ни в коем случае не используйте для упаковки продуктов или закрытия контейнеров материалы, вредные для Вашего здоровья.

Для упаковки

используйте пленки или пакеты из полиэтилена, алюминиевую фольгу, специальные контейнеры.

Для герметичного закрытия упаковки

пользуйтесь резиновыми кольцами, пластмассовыми зажимами, шпагатом, морозостойкой клейкой лентой.

Срок хранения замороженных продуктов

При установке регулятора в среднее положение

Рыба, колбаса, готовые блюда, мучные изделия	до 6-ти месяцев
Сыр, птица, мясо	до 8-ми месяцев
Овощи, фрукты	до 12-ти месяцев

Размораживание замороженных продуктов

В зависимости от вида продуктов и их дальнейшего использования можно выбрать один из следующих методов размораживания:

- при комнатной температуре,
- в холодильнике,
- в электрическом духовом шкафу, с конвекцией горячего воздуха или без нее,
- в микроволновой печи.

Указание

Подтаявшие или полностью размороженные продукты не следует снова замораживать. Только после переработки продуктов (путем варки или жарения) готовое блюдо можно заморозить.

Но хранить готовые блюда уже нельзя так долго, как продукты, из которых они были приготовлены.

Выключение холодильника

Нажмите на кнопку. **Рисунок 2/1** Лампочка индикации температуры погаснет, **рисунок 2/3**, система охлаждения и внутреннее освещение холодильника выключатся.

Вывод холодильника из эксплуатации

Если Вы долгое время не будете пользоваться холодильником:

1. Вытащите вилку из розетки
2. Почистите холодильник.
3. Оставьте дверцу холодильника открытой.

Размораживание морозильного отделения

Поступайте следующим образом

- Извлеките из морозильного отделения боксы с замороженными продуктами. Если в комплекте поставки холодильника имелись аккумуляторы холода, то положите их на продукты. Заверните замороженные продукты в несколько слоев газетной бумаги и поместите их в прохладное место.
- Вытащите вилку из розетки или выключите предохранитель.
- Разморозьте морозильное отделение.
- После размораживания соберите губкой воду на дне морозильного отделения.
- Проведите чистку морозильного отделения с использованием слабого водного раствора средства для мытья посуды вручную. Уплотнитель двери следует протереть лишь тряпкой, смоченной в чистой воде, и затем вытереть насухо.
- Снова включите холодильник.
- Загрузите в морозильное отделение замороженные продукты.

Аэрозоли для ускорения размораживания

Руководствуйтесь указаниями производителей этих средств.

Чистка холодильника

1. Внимание! Извлеките вилку из розетки или выключите предохранитель!
2. Уплотнитель дверцы холодильника следует лишь протереть тряпкой, смоченной в чистой воде, и затем тщательно вытереть его насухо.
3. Проводите чистку холодильника с использованием теплой воды, добавив в нее немного средства для мытья посуды вручную. Вода, используемая для чистки, не должна попасть внутрь панели управления или системы освещения. **Рисунок 2**
4. После чистки снова подключите холодильник к сети и включите его.

Полочки, расположенные на дверце холодильника, можно снять для удобства чистки. **Рисунок 11**

Не пользуйтесь абразивными и кислотосодержащими чистящими средствами, а также растворителями.

Чтобы талая вода могла беспрепятственно стекать, регулярно прочищайте желобок и отверстие для ее слива, **рисунок 3**, с помощью палочки или какого-либо другого подобного предмета.

Вода, используемая для чистки, не должна попадать через сливное отверстие в испарительный поддон.

Внимание!

Никогда не мойте полки и контейнеры холодильника в посудомоечной машине. Они могут деформироваться!

Как сэкономить электроэнергию

- Холодильник следует устанавливать в сухом, хорошо проветриваемом помещении. Он не должен стоять на солнце или поблизости от источника тепла (например, радиатора отопления, электроплиты). При необходимости воспользуйтесь изолирующей плитой.
- Горячие блюда и напитки перед закладыванием в холодильник следует охладить.
- Закрывайте дверцу холодильника как можно скорее.
- Проведите размораживание и чистку холодильника.
- Во избежание повышенного потребления электроэнергии заднюю стенку холодильника следует время от времени чистить пылесосом или кисточкой.

Рабочие шумы

Совершенно нормальные шумы

- **Гудение** исходит от двигателя (компрессора). На некоторое время (когда двигатель включается) оно может стать немного громче.
- **Бульканье или журчание** слышны при протекании хладагента по трубкам холодильной системы.
- **Щелчки** слышны, когда термостат включает или выключает двигатель.

Шумы, которые легко устранить

- **Выдвижные боксы, корзины или полки качаются или застряли.**
Проверьте, пожалуйста, установку съемных деталей и при необходимости расположите их правильно.
- **Бутылки или емкости прикасаются друг к другу.**
Немного отодвиньте, пожалуйста, бутылки или емкости друг от друга.

Самостоятельное устранение мелких неисправностей

Прежде чем вызвать Службу сервиса:

проверьте, не сможете ли Вы устранить неполадки самостоятельно с помощью приведенных ниже рекомендаций.

Вам придется оплачивать вызов специалистов Службы сервиса для консультации самостоятельно – даже во время гарантийного срока!

Неисправность	Возможная причина	Устранение:
Фактическая температура сильно отличается от заданной.		<p>В некоторых случаях достаточно выключить холодильник на 5 минут.</p> <p>Если температура слишком высокая, то через несколько часов следует проверить, не опустилась ли она немного ближе к заданной.</p> <p>Если температура слишком низкая, то проверьте ее на следующий день еще раз.</p>
Освещение не функционирует.	<p>Перегорела лампочка накаливания.</p> <p>Выключатель освещения заклинило.</p> <p>Рисунок 1/5</p>	<p>Замените лампочку Рисунок 12</p> <ol style="list-style-type: none"> 1. Извлеките вилку из розетки или выключите предохранитель. 2. Замените лампочку (параметры запасной лампочки: макс. 15 Вт, 220–240 В, переменный ток, цоколь E14). <p>Попробуйте подвигать выключатель.</p>

Неисправность	Возможная причина	Устранение:
Пол холодильного отделения мокрый.	Засорилась трубка для слива талой воды.	Проведите чистку желобка и отверстия для слива талой воды, рисунок 3 , как описано в разделе «Чистка холодильника»).
Не горит ни один из индикаторов	Отключили электро-энергию; сработал предохранитель; вилка «болтается» в розетке.	Проверьте, есть ли напряжение в электросети, включите предохранитель.
Температура в холодильном отделении слишком низкая.	Установлена слишком низкая температура.	Установите более высокую температуру.
При почти закрытой дверце (или нажатом выключателе освещения) лампочка внутреннего освещения продолжает слабо светиться	Температура в помещении опустилась ниже 20 °С или включена функция суперзамораживания. Это не является неисправностью.	При температуре в помещении выше 20 °С или после выключения функции суперзамораживания лампочка внутреннего освещения снова гаснет.
На стенках морозильного отделения образовался толстый слой инея.		Разморозьте морозильное отделение (смотрите описание в разделе «Разморозивание морозильного отделения»). Постоянно следите за тем, чтобы дверца морозильного отделения была плотно закрыта.

Неисправность	Возможная причина	Устранение:
В морозильном отделении слишком высокая температура.	• Открыта дверца морозильного отделения.	Закройте дверцу.
	• Закрыты вентиляционные отверстия.	Обеспечьте надежную вентиляцию холодильника.
	• В морозильное отделение было загружено за один раз слишком много свежих продуктов питания.	Загружайте морозильное отделение с учетом макс. производительности замораживания.

Служба сервиса

Ближайший специализированный сервисный центр Вы сможете найти по телефонной книге или перечню Служб сервиса. Назовите, пожалуйста, сотрудникам сервисного центра номер изделия (E-Nr.) и заводской номер (FD) Вашего холодильника.

Эти данные Вы найдете в типовой табличке холодильника. **Рисунок 13**

Помогите, пожалуйста, избежать ненужных выездов специалистов, правильно указав заводской номер и номер изделия. Тем самым Вам удастся сэкономить связанные с вызовом затраты.

Рекомендації з утилізації

Утилізація упаковки

Упаковка захищає Ваш прилад від пошкоджень під час транспортування. Всі використані для упаковки матеріали – нешкідливі для навколишнього середовища і можуть використовуватися повторно. Будь ласка, підтримайте нас: утилізуйте упаковку у відповідності із екологічними нормами.

За інформацією про актуальні шляхи утилізації зверніться, будь ласка, до спеціалізованих підприємств по переробці відходів.

Утилізація старого приладу

Старі прилади – це не просто відходи!

Шляхом екологічної утилізації із них можна отримати знову цінну сировину.

Застереження

Для приладів, які вийшли із експлуатації

1. Витягніть штепсельну вилку.
2. Переріжте електропровід і викиньте його разом із штепсельною вилкою.

Холодильники містять холодильні засоби і гази в ізоляції. Холодильні засоби та гази підлягають спеціалізованій утилізації. Слідкуйте за тим, щоб труби системи холодильної циркуляції не були пошкоджені до належної утилізації.

Рекомендації з дотримання безпеки та застереження

Перед початком експлуатації приладу

Прочитайте уважно інструкцію з експлуатації та установки! Інструкція містить важливу інформацію про установку, експлуатацію приладу та догляд за ним.

Зберігайте всю документацію для майбутнього використання або для наступного власника приладу.

Технічна безпека

- Даний прилад містить в незначній кількості горючий холодильний засіб R600a з високою екологічною сумісністю. Під час транспортування та установки слід пильнувати, щоб труби системи холодильної циркуляції не були пошкоджені. Бризки холодильного засобу можуть призвести до пошкоджень очей або зайнятися.

У разі пошкодження

- уникайте відкритого вогню та джерел займання,
- декілька хвилин провітріть добре приміщення,
- витягніть штепсельну вилку,
- проінформуйте службу сервісу.

Чим більше холодильного засобу у приладі, тим більшим повинно бути приміщення, де стоїть прилад. У замалих приміщеннях у разі нещільності може утворитися горюча суміш із газу та повітря.

На 8 г холодильного засобу повинно приходиться принаймні 1 м³ приміщення. Кількість холодильного засобу в Вашому приладі вказана на табличці з технічними даними всередині приладу.

- Заміна електропроводу та інші технічні ремонтні роботи дозволяється виконувати лише службі сервісу. Неналежним чином виконані установка та ремонтні роботи можуть створити значну небезпеку для користувача.

Під час експлуатації

- Ні в якому разі не використовуйте усередині приладу електроприлади (напр., нагрівальні прилади, електроприлади для приготування морозива і т.п.) **Небезпека вибуху!**
- Ні в якому разі не використовуйте для чистки або розмороження очисну машину з паром! Пара може потрапити на електричні деталі та спричинити коротке замикання. **Небезпека удару струмом!**
- Не користуйтеся для зіскоблювання нашарувань паморозі та льоду гострими чи заточеними предметами.
- Не зберігайте в приладі продукти з горючими газами (напр., розпилювачі) та вибухові речовини. **Небезпека вибуху!**
- Цоколь, висувні елементи, дверцята і т.д. не використовуйте поза призначенням – не спи-райтесь і не ставайте на них.
- Перед розмороженням та чисткою витягніть штепсельну вилку із розетки або вимкніть запобіжники. Витягайте штепсельну вилку, тримаючи її за штепсель, а не за електрокабель.
- Високопроцентний алкоголь слід зберігати лише щільно закритим і у вертикальному положенні.
- Не допускайте потрапляння олії та жиру на пластмасові деталі і ущільнення дверцят. Вони можуть стати пористими. вони можуть стати пористими.
- Ні в якому разі не прикривайте і не заставляйте отвори приладу для циркуляції повітря.
- Не зберігайте в морозильній камері пляшки та банки з рідиною (зокрема напої з вуглекислою). Пляшки і банки можуть лопнути!
- Не кладіть до роту заморожені продукти безпосередньо після виймання із морозильної камери. **Небезпека опіку від обмороження!**
- Уникайте тривалого контакту рук із замороженими продуктами, льодом або трубами випарника тощо. **Небезпека опіку від обмороження!**
- Ні в якому разі не зіскоблюйте паморозь чи примерзлі продукти ножем або іншим гострим предметом. Ви можете пошкодити труби із холодильного засобу. Бризки холодильного засобу можуть зайнятися або призвести до пошкодженень очей.

Діти в домашньому господарстві

- Не дозволяйте дітям гратися з упаковкою та її частинами. Складні картонні коробки та плівки можуть спричинити задушення!
- Прилад – не іграшка для дітей!
- Для приладу з замком для дверей: тримайте ключ подалі від дітей!

Загальні положення

Прилад придатний

- для охолодження та замороження продуктів харчування,
- для приготування льоду.

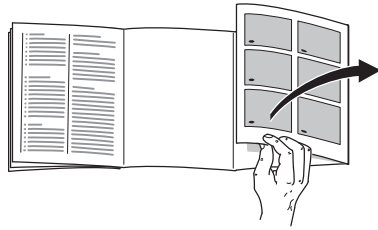
Прилад призначений лише для використання в домашньому господарстві.

Прилад відповідає вимогам електромагнітної сумісності Директиви ГОСТ Р 51318.14.1-99, ГОСТ Р 51318.14.2-99, ГОСТ Р 51317.3.2-99, ГОСТ Р 51317.3.3-99.

Щільність системи холодильної циркуляції перевірена.

Даний виріб відповідає відповідним Вимогам з безпеки електричних приладів ГОСТ Р МЭК 60335-2-24.

Ознайомлення з приладом



Розгорніть будь ласка останні сторінки з малюнками. Дана інструкція з експлуатації дійсна для декількох моделей.

Можливі розбіжності у зображенні окремих деталей.

Малюнок 1

- 1–4 Панель керування
 - 5 Вимикач світла
 - 6 Внутрішнє освітлення
 - 7 Ящик з лотком для яєць
 - 8 Полички холодильної камери
 - 9 Контейнер для овочів
 - 10 Бокси для заморожених продуктів
 - 11 Гвинтові ніжки
 - 12 Контейнер для масла та сиру
 - 13 Контейнер для яєць
 - 14 Утримувач для банок
 - 15 Підставка для великих пляшок
-
- A Морозильна камера
 - B Холодильна камера

Панель керування

Малюнок 2

1 Клавіша включення/виключення

Служить для ввімкнення та вимкнення всього приладу.

2 Клавіша установки температури

Натискайте клавішу до тих пір, поки не засвітиться бажана лампочка показника температури.

3 Лампочки показника температури

Цифри біля зеленої лампочки показують температуру в холодильній камері в «°C». Лампочка, що світиться, показує задану температуру. Лампочка блимає, поки не буде досягнута установлена температура. Вказівка: Низькі температури в холодильній камері спричиняють також низькі температури в морозильній камері.

4 Клавіша суперзамороження

Служить для включення та виключення режиму «суперзамороження». В робочому режимі світиться жовта лампочка. Суперзаморожування служить для заморожування великої кількості свіжих продуктів і вмикається в залежності від кількості за годину перед їх завантаженням. Увага! Під час суперзаморожування температура може понизитися і в холодильній камері.

Звертайте увагу на температуру в приміщенні та вентиляцію

Кліматичний клас вказаний на табличці з технічними даними. Він показує за яких температурних умов Ваш прилад можна експлуатувати. Табличка з технічними даними знаходиться ліворуч знизу в холодильній камері.

кліматичний клас	допустима температура в приміщенні
SN	+10 °C до 32 °C
N	+16 °C до 32 °C
ST	+18 °C до 38 °C
T	+18 °C до 43 °C

Температура в приміщенні не повинна падати взагалі або падати лише короткочасно нижче мінімальної температури в приміщенні. Інакше в морозильній камері буде занадто тепло й заморожені продукти можуть розморозитися.

Вентиляція

Повітря за спинкою приладу нагрівається. Нагріте повітря повинно мати можливість виходити без перешкод. В протилежному випадку холодильний агрегат мусить працювати на більшу потужність, що підвищує витрату електроенергії.

Тому ні в якому разі не прикривайте отворів для циркуляції повітря!

Підключення приладу

Після установки приладу слід зачекати принаймні $\frac{1}{2}$ години до початку його експлуатації. Під час транспортування масло із компресору могло переміститися в систему охолодження. Перед початком першої експлуатації прилад слід прочистити всередині (дивіться Чистка).

Штепсельна розетка повинна знаходитися в вільно доступному місці. Прилад підключати лише до перемінного струму 220–240 V/50 Hz через установлену згідно вказівкам штепсельну розетку. Розетка повинна бути захищена запобіжником 10 A до 16 A або вище.

У разі використання приладу в країнах поза межами Європи слід перевірити на таблиці з технічними даними, чи відповідають задана напруга в мережі та вид струму даним Вашої електромережі. Табличка з технічними даними знаходиться у приладі з лівої сторони знизу. Заміна проводки для підключення в мережу у разі потреби виконується лише фахівцем.

Застереження!

Ні в якому разі не підключайте прилад до електронних енергозощадливих штепселів та інверторів, які перетворюють постійний струм в перемінний струм в 230 V (напр., сонячні установки, електромережі на кораблях).

Включення приладу

Натисніть клавішу включення/виключення **Малюнок 2/1**. Внутрішнє освітлення світиться, лампочка показника температури блимає.

Температура в холодильній камері установлена на заводі на +5 °C.

Ми рекомендуємо установку на +4 °C.

Нетривкі продукти не слід зберігати при температурі вище +4 °C.

Установка температури

Установлені значення можна змінювати, дивіться опис панелі керування.

Зауваження:

Малюнок 3

На задній стінці всередині утворюються водяні краплі або паморозь, що обумовлено функціональними особливостями. Паморозь відтає автоматично та стікає через стік для талої води до випарної ванночки.

Стік та отвір стоку слід тримати в чистоті, щоб тала вода мала змогу стекти.

Розміщення продуктів харчування

Звертайте увагу на зони охолодження у холодильній камері!

Внаслідок циркуляції повітря в холодильній камері утворюються зони із різними рівнями холоду:

- **Найхолодніша зона** знаходиться на задній спинці всередині та на нижніх полицках. **Малюнок 4**

Вказівка: Зберігайте в найхолодніших зонах нетривкі продукти, (напр. риба, ковбаса, м'ясо).

- **Найтепліша зона** знаходиться на дверцятах зверху.

Вказівка: Зберігайте в найтеплішій зоні, напр., сир та масло. При подачі на стіл сир зберігає свій аромат, масло залишається м'яким.

При розміщенні продуктів зверніть увагу на наступне

Продукти харчування класти найкраще в упакованому вигляді або щільно закритими це допоможе зберегти аромат, колір та свіжість.

Крім того це запобігає перейманню смакових властивостей одного продукту іншими та забарвленню пластмасових елементів.

Зауваження:

Ви можете переставляти полицки всередині за потребою: потягніть полицку до себе, нахиліть вниз та вийміть збоку. **Малюнок 5**

Ми рекомендуємо розміщувати продукти наступним чином:

- **В холодильна камера:** швидкозаморожені продукти, лід та морозиво
- **На полицках** в холодильній камері (зверху вниз): випечені вироби, готові страви, молочні продукти, м'ясо та ковбаса
- **В овочевому контейнері:** овочі, салат, фрукти
- **В дверцятах** (зверху вниз): масло, сир, яйця, тюбики, малі та великі пляшки, молоко, пакети із соком.

Місткість

Дані про місткість Ви знайдете на табличці з технічними даними на Вашому приладі.

Спеціальне оснащення

(не в усіх моделях)

Висувний ящик

Малюнок 6

Висувний ящик можна виймати для закладання та виймання продуктів. Для цього ящик слід підняти. Кріплення висувного ящика довільне.

Підставка для пляшок

Малюнок 7

В підставці для пляшок можна надійно розмістити пляшки. Кріплення довільне.

Тримач для пляшок

Малюнок 8

Тримач для пляшок запобігає хитанню пляшок під час відчинення та зачинення дверцят.

Заморожування та зберігання продуктів

На що слід звернути увагу при купівлі швидкозаморожених продуктів

Слідкуйте за тим, щоб упаковка не була пошкоджена.

Зверніть увагу на термін зберігання.

Індикатор температури морозильної шафи в магазині повинен показувати -18°C або нижче.

Заморожені продукти слід перевозити по можливості в сумці-термосі та якнайшвидше покласти до морозильної камери.

Зберігання заморожених продуктів

- Для бездоганної циркуляції повітря в приладі важливо задвинути ящики для заморожених продуктів до упору.
- Якщо потрібно завантажити велику кількість продуктів харчування, тоді продукти можна скласти безпосередньо на опорному риштуванні та знизу морозильної камери. Для цього вийміть усі бокси для заморожених продуктів. Щоб вийняти бокси, слід видвинути їх до упору, підняти спереду і вийняти. **Малюнок 9**

Приготування кубиків льоду

Малюнок 10

Заповніть ванночку для льоду на $\frac{3}{4}$ водою та покладіть на низ морозильної камери. Примерзлу ванночку відокремлювати лише за допомогою негострих предметів (ручка ложки).

Щоб вийняти заморожені кубики льоду із ванночки, опустіть її на короткий час під проточну воду або перегніть злегка.

Суперзаморожування

Якщо в морозильній камері вже лежить велика кількість продуктів, тоді за декілька годин перед завантаженням свіжих продуктів слід включити «суперзаморожування».

Взагалі достатньо 4–6 годи. Для використання макс. потужності заморожування потребуються 24 години. Невелику кількість продуктів можна заморожувати без суперзаморожування. Для ввімкнення суперзаморожування просто натисніть клавішу суперзаморожування **Малюнок 2/4**.

Суперзаморожування виключається автоматично найпізніше через $2\frac{1}{2}$ доби.

Замороження продуктів

Продукти харчування повинні якомога швидше проморозитися до самої середини. Щоб зберегти вітаміни, поживні речовини, вигляд та смак, слід не перевищувати макс. потужності заморожування. У разі заморожування в боксах для заморожених продуктів макс. потужність заморожування зменшується незначним чином.

Потужність заморожування

Дані про макс. потужність заморожування за 24 години Ви знайдете на табличці з технічними даними.

Макс. потужність заморожування досягається на верхній решітці.

Заморожені продукти не повинні торкатися продуктів, які Ви щойно поклали для заморожування.

З метою збереження смакових властивостей та запобігання втраті вологи упакуйте продукти так, щоб не проникало повітря.

Увага!

Не використовуйте для упаковки продуктів та закриття упаковок небезпечних для здоров'я матеріалів.

Для упаковки

пластикові плівки, трубчата плівка із поліетилену, алюмінієва фольга, бокси для заморожування.

Для закриття

гумові кільця, пластмасові затискачі, нитки, стійкі до холоду клейкі стрічки.

Термін зберігання заморожених продуктів

При середній установці

риба, ковбаса, готові страви, випечені вироби	до 6 місяців
сир, птиця, м'ясо	до 8 місяців
овочі, фрукти	до 12 місяців

Розмороження заморожених продуктів

В залежності від виду та призначення, можна вибрати одну із наступних можливостей:

- при кімнатній температурі
- в холодильнику
- в електричній духовці з тепловою вентиляцією або без
- в мікрохвильовій печі.

Зауваження

Повністю або частково розморожені продукти не заморожуйте знову. Заморожувати продукти знову можна лише після їх переробки до готових страв (у звареному або жареному вигляді).

Заморожені продукти слід вжити до закінчення макс. строку зберігання.

Прилад виключити

Натисніть клавішу включення/виключення **Малюнок 2/1**. Лампочка показника температури **Малюнок 2/3** гасне, отже охолодження та освітлення вимкнені.

Зупинка роботи приладу

Якщо прилад тривалий час Вами не використовується:

1. Витягніть штепсельну вилку
2. Почистіть прилад
3. Дверцята приладу залишіть відкритими.

Розморожування морозильної камери

Виконайте наступне

- Вийміть бокси з замороженими продуктами. Акумулятор холоду (за наявності) покладіть на продукти. Заверніть заморожені продукти у декілька шарів газетного паперу та покладіть до холодного місця.
- Витягніть штепсельну вилку із розетки або вимкніть запобіжник.
- Розморозьте прилад.
- Після розморожування зберіть талу воду в морозильній камері насподі гумкою.
- Прочистіть водою з невеликою кількістю миючого засобу. Ущільнення дверцят промивайте лише чистою водою і потім витирайте насухо.
- Включіть прилад знову.
- Покладіть заморожені продукти назад.

Розпилювачі для розморожування

Дотримуйтеся обов'язково рекомендацій виробника.

Чистка приладу

1. Увага: Витягніть штепсельну вилку із розетки або вимкніть запобіжник!
2. Ущільнення дверцят промивайте лише чистою водою і потім дбайливо витирайте насухо.
3. Прочистіть прилад теплою водою з невеликою кількістю миючого засобу. Миюча вода не повинна потрапляти на панель керування та освітлення **Малюнок 2**.
4. Після чистки: прилад підключити знову до мережі та ввімкнути.

Полички в дверцятах для чистки можна виймати. **Малюнок 11**

Не користуйтеся засобами для чистки із піском або кислотами чи розчинниками.

Регулярно прочищайте стік для талої води та отвір стоку **Малюнок 3** паличкою або чимось подібним, щоб тала вода могла стікати.

Вода не повинна потрапляти через отвір стоку до випарної ванночки.

Увага!

Полички та бокси ні в якому разі не мити в посудомийній машині. Елементи можуть деформуватися!

Заощадження енергії

- Установіть прилад в сухому, добре провітрюваному приміщенні, в захищеному від прямого сонячного проміння місці, де немає поблизу джерела тепла (радіатор і т.д.). В протилежному випадку, використайте ізоляційну плитку.
- Гарячі страви та напої слід спочатку охолодити.
- Намагайтеся якомога менше тримати дверцята відчиненими.
- Розморозьте та почистіть прилад.
- Стінку приладу час від часу слід чистити пилососом або щіткою, щоб запобігти підвищеному споживанню електроенергії.

Шуми при експлуатації

Звичайні шуми

- **Гудіння** чути від мотору (компресору). На короткий час гудіння може посилитися, коли мотор включається.
- **Булькання, клокотання або дзижчання** чути від холодильного засобу, який тече по трубам.
- **Клацання** чути завжди, коли термостат включає і виключає мотор.

Шуми, які можна легко усунути

- **Висувні ящики, бокси або полочки хитаються чи затиснуті**
Перевірте елементи, які виймаються, та вставте їх за потреби знову.
- **Пляшки та посудини торкаються один одного**
Розставте пляшки та посуд трохи поодаль один від одного.

Як усунути незначні неполадки самому

Перед викликом служби сервісу:

Перевірте, чи не зможете Ви самі усунути неполадки на основі наступних рекомендацій.

За консультацію служби сервісу Ви змушені будете заплатити – навіть під час гарантійного строку!

Неполадка	Можлива причина	Допомога
Температура сильно відрізняється від установки.		<p>В деяких випадках достатньо виключити прилад на 2 хвилини.</p> <p>У разі невдачі повторіть спробу через годину ще раз.</p> <p>У разі завищеної температури перевірте відповідність температури через декілька годин.</p> <p>У разі зниженої температури перевірте температуру наступного дня ще раз.</p>
Внутрішнє освітлення не функціонує.	Лампочка дефектна.	<p>Замініть лампочку Малюнок 12</p> <ol style="list-style-type: none"> Витягніть штепсельну вилку із розетки або виключіть запобіжник. Замініть лампочку (лампочка макс. 15 W 220–240 V перемінного струму, патрон E14).
	Перевірте, чи він рухається. Малюнок 11/5	Вимикач світла затиснутий.
Низ холодильної камери мокрий.	Засмічена труба для стоку талої води.	Прочистіть стік для талої води та стічну трубу Малюнок 3 (дивіться Чистка приладу).

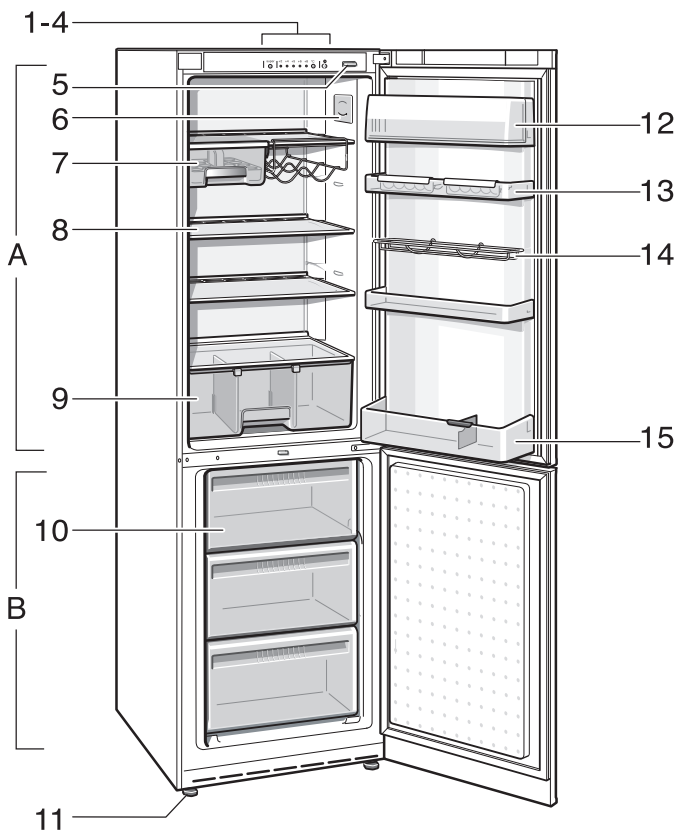
Неполадка	Можлива причина	Допомога
Не світяться індикатори.	Перерва в подачі струму; виключився запобіжник; штепсельна вилка не ввімкнута добре до розетки.	Перевірте, чи є струм, запобіжник повинен бути включеним.
Температура в холодильній камері занадто низька.	Установлена занадто низька температура.	Установити вищу температуру.
Внутрішнє освітлення світиться при майже зачинених дверцятах (або натиснутому вимикачеві світла) із зменшеною силою світла.	Температура навколишнього середовища нижче 20 °С або включене суперзаморозування. Все в нормі!	При температурі навколишнього середовища понад 20 °С або після вимкнення суперзаморозування внутрішнє освітлення знову погасне.
В морозильній камері товстий шар паморозі.		Розморозьте морозильну камеру (дивіться Розмороження). Слідкуйте за тим, щоб дверцята морозильної камери були завжди добре закриті.
Температура в морозильній камері занадто висока.	<ul style="list-style-type: none"> • Дверцята морозильної камери відчинені. • Отвори для циркуляції повітря закриті. • До морозильної камери покладено водночас занадто багато продуктів. 	<p>Закрийте дверцята.</p> <p>Забезпечте циркуляцію повітря.</p> <p>Не перевищуйте макс. потужності заморозування.</p>

Служба сервісу

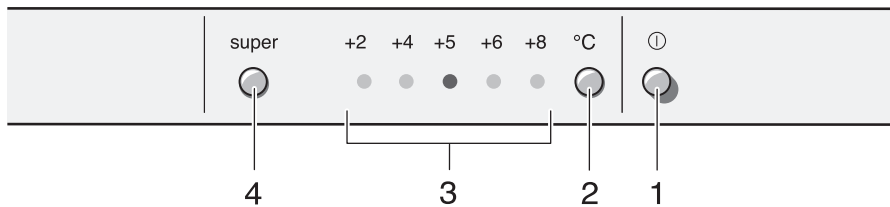
Службу сервісу поблизу Ви знайдете в телефонній книжці або у списку служб сервісу. Назвіть службі сервісу номер виробу (E-номер) та заводський номер (FD) приладу.

Ці дані Ви знайдете на таблиці з технічними даними. **Малюнок 13**

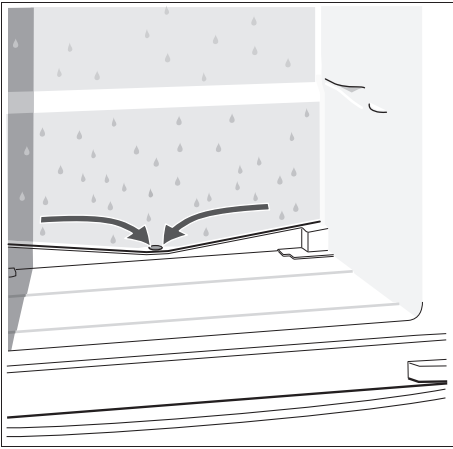
Назвавши номер виробу та заводський номер, Ви допоможете запобігти непотрібним поїздкам співробітників служби сервісу. Цим самим Ви заощадите пов'язані із цим додаткові кошти.



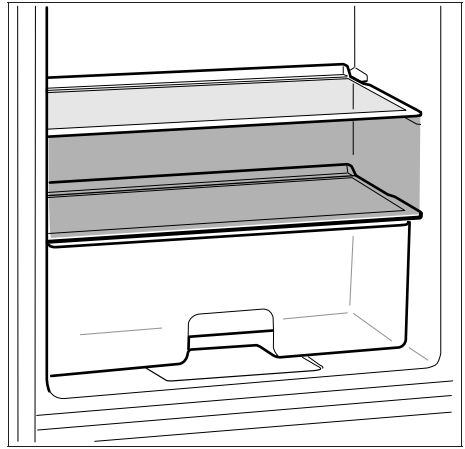
1



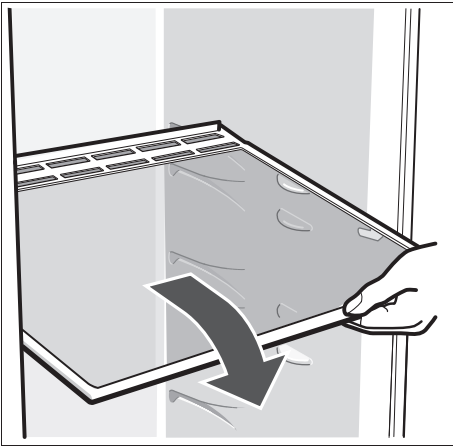
2



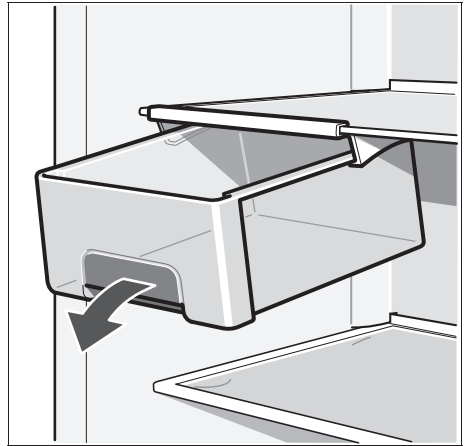
3



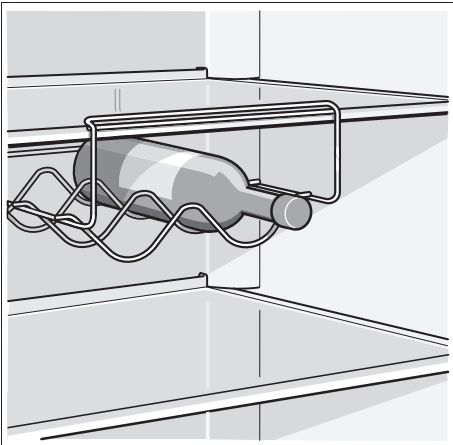
4



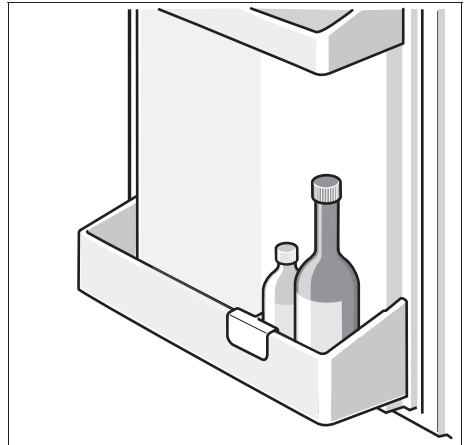
5



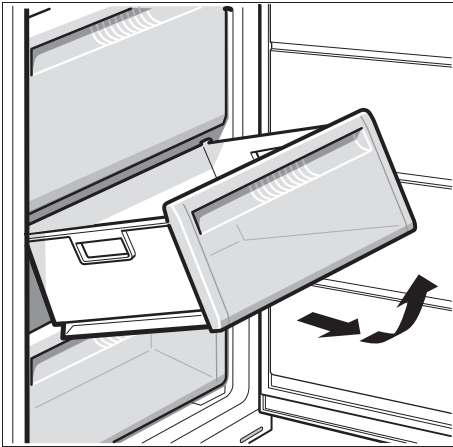
6



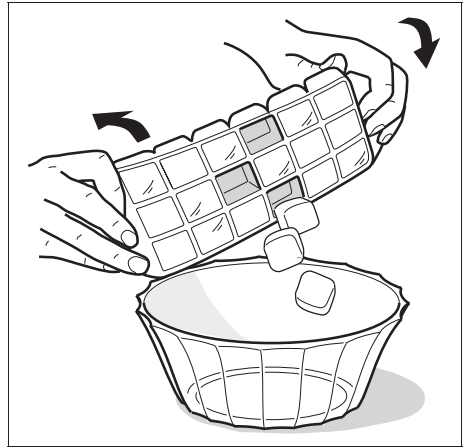
7



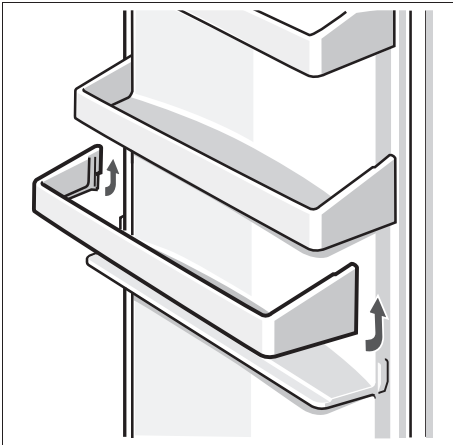
8



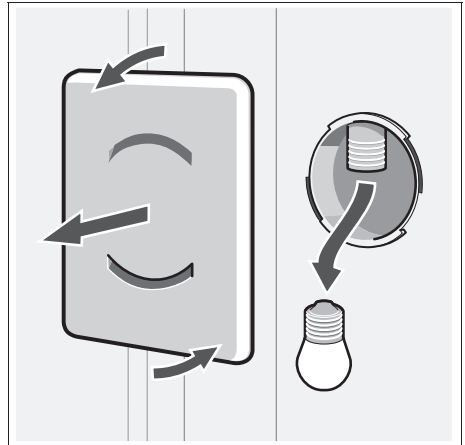
9



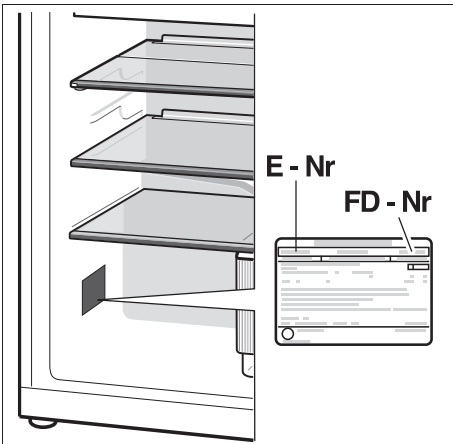
10



11



12



13

Bosch Info-Team:
DE Tel. 0180/5 30 40 50 (EUR 0,14/Min. DTAG)

Subject to alterations.

Право на внесение изменений оставляем за собой.

Внесення змін не виключається.

ROBERT BOSCH HAUSGERÄTE GMBH
Carl-Wery-Straße 34, 81739 München
Internet: <http://www.bosch-hausgeraete.de>

en/ru/uk
9000 210 649 (8710)